



Gate bushing type LA/LAV

Version LA with extended length and
version LAV with extended length and wear protection

TECHNICAL DATA

Dimensions

	Version (mm)						
	ØA	ØS	ØT ₁	s	u	ØA ₁	R
15LA	35	15	22	5	5	36	5
20LA	35	20	28	5	15	36	5
22LA/LAV	38	22	32	5	15	39	8
26LA/LAV	45	26	36	5	15	46 ^{1,2}	8
32LA/LAV	50	32	42	9	15	56	13
38LA/LAV	59	38	48	12	20	60	16

¹ØA₁ = 49 mm with nozzle type 8SET/8DET

²ØA₁ = 56 mm with nozzle type 8SHT

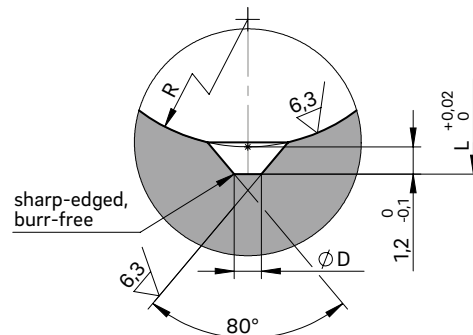
NOTE

When using a gate bushing of size ØS = 26 mm, ØS = 32 mm or ØS = 38 mm in conjunction with nozzle types _ET and _HT, we recommend consulting with the engineers.

After eroding the gate bushing, it must be annealed to remove stress (1 hour at 470 °C).



ANTECHAMBER VERSIONS A/B

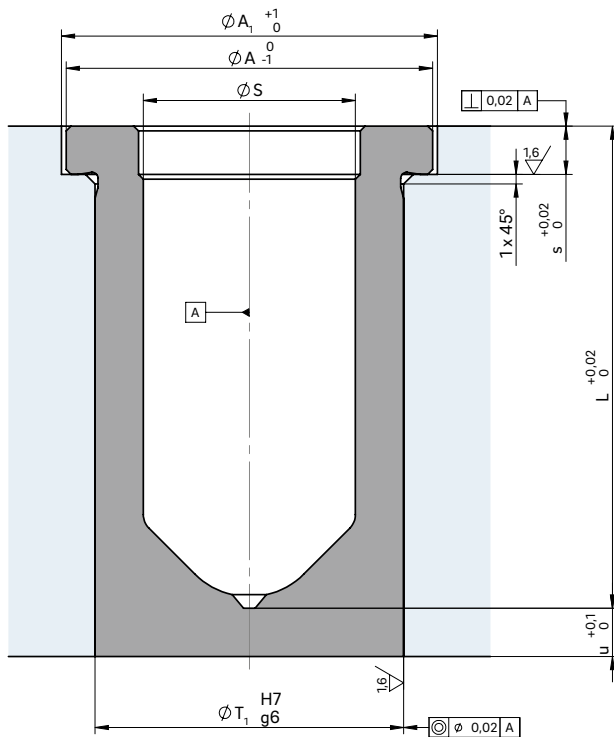


For open nozzles with a tip/open nozzles with a straight outlet for antechamber versions A/B and nozzle piece C

WEBCODE
23010



GATE BUSHING INSTALLATION



For gate bushings with an extended length, the gate contour goes through dimension "L"

Nozzle type designation	Gate bushing type/length (mm)															
	L=50		L=60		L=80		L=100		L=120		L=120		L=120			
4SHF/4DHF	■	15LA	■	15LA	■	15LA										
4STT/4DTT	■	15LA	■	15LA	■	15LA										
4SMT/4DMT	■	20LA	■	20LA	■	20LA	■	20LA								
5SHT/5DHT	■	22LA	□	22LAV	■	22LA	□	22LAV	■	22LA	□	22LAV				
5SMT/5DMT	■	22LA	□	22LAV	■	22LA	□	22LAV	■	22LA	□	22LAV	■	22LA	□	22LAV
6SHF/6DHF	■	22LA	□	22LAV	■	22LA	□	22LAV	■	22LA	□	22LAV	■	22LA	□	22LAV
6STT/6DTT	■	22LA	□	22LAV	■	22LA	□	22LAV	■	22LA	□	22LAV	■	22LA	□	22LAV
6SHT/6DHT	■	26LA	□	26LAV	■	26LA	□	26LAV	■	26LA	□	26LAV	■	26LA	□	26LAV
6SMT/6DMT	■	26LA	□	26LAV	■	26LA	□	26LAV	■	26LA	□	26LAV	■	26LA	□	26LAV
8SET/8DET	■	26LA	□	26LAV	■	26LA	□	26LAV	■	26LA	□	26LAV	■	26LA	□	26LAV
8SHF/8DHF	■	26LA	□	26LAV	■	26LA	□	26LAV	■	26LA	□	26LAV	■	26LA	□	26LAV
8SHT/8DHT	■	26LA	□	26LAV	■	26LA	□	26LAV	■	26LA	□	26LAV	■	26LA	□	26LAV
10SHT/10DHT					■	32LA	□	32LAV	■	32LA	□	32LAV	■	32LA	□	32LAV
12SET/12DET					■	38LA	□	38LAV	■	38LA	□	38LAV	■	38LA	□	38LAV
12SHT/12DHT					■	38LA	□	38LAV	■	38LA	□	38LAV	■	38LA	□	38LAV

■ available □ on request